

HIGH PRODUCTIVITY • STURDINESS • PRECISION • TECHNOLOGY

HORIZONTAL TURNING CENTER

ROMI GL 170G

NEW GENERATION



www.romi.com



ROMI GL 170G NEW GENERATION

The New Generation of the ROMI GL 170G Turning Center assures flexibility, speed, precision and high productivity for machining of parts from bars.



ROMI GL 170G equipped with parts dresser and chip conveyor

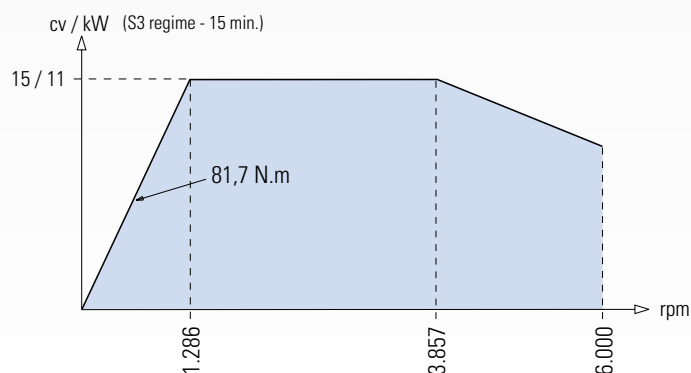
- Cartridge-type headstock, 6,000 rpm (ASA A2-5")
- Main motor CA, 15 cv (14.79 hp) / 11 kW
- Gang Tools table for tool support
- Bar feeder (optional)
- Parts Dresser (optional)



CNC

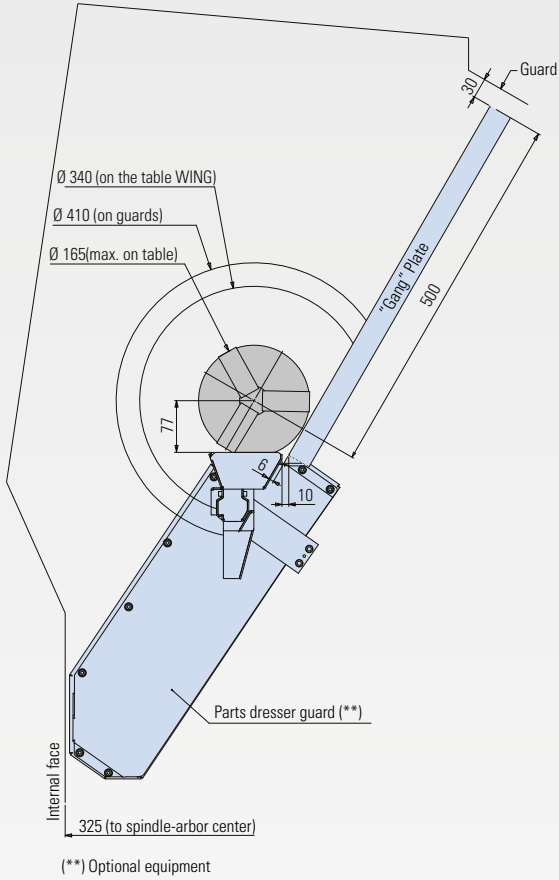
Equipped with CNC Fanuc Oi-TF Plus with touchscreen color LED display 15" and integrated safety system. It offers to users great easy-to-use programming resources with main screen and different areas for planning, machining, improvements and utilities, providing two-click access to the functions. Provided with Ethernet and PCMCIA interfaces, and USB port.

POWER CHART

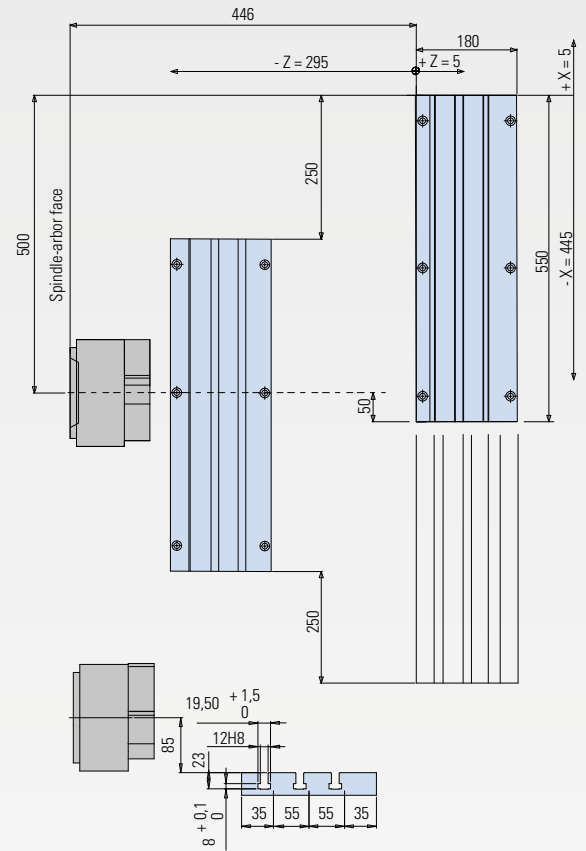


WORK LAYOUT

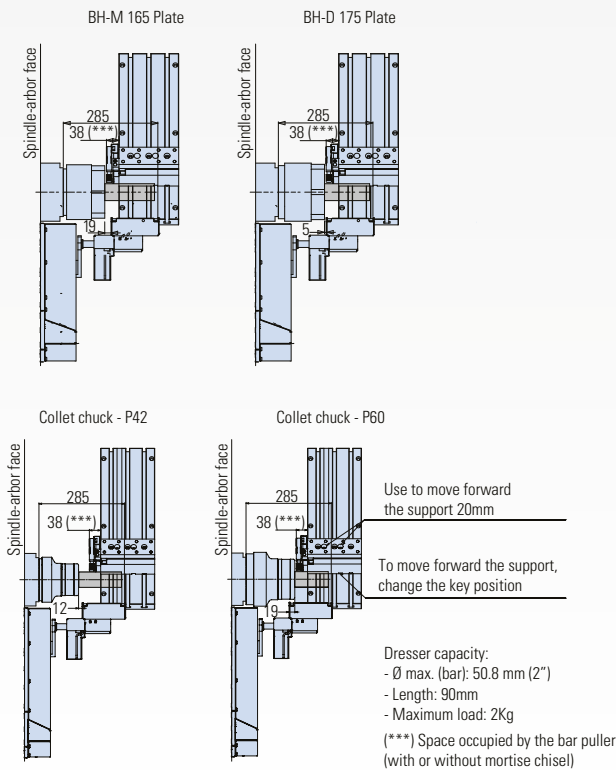
Work layout (dimensions in mm)



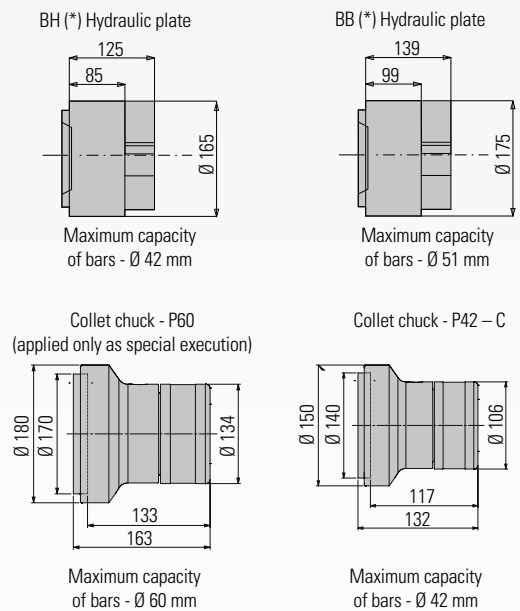
Spindle travel (dimensions in mm)



Work layout (dimensions in mm)



Work layout (dimensions in mm)



(*) Saw-edged in millimeters 1.5 mm x 60°
Saw-edged in inches 1/16" x 90°

Technical specifications

ROMI GL 170G

Capacity

| | | |
|--|---------|------------|
| Maximum turnable diameter | mm (in) | 170 (6.7) |
| Admissible diameter over the Z axis protection | mm (in) | 410 (16.1) |
| Carriage traverse travel (axis X) | mm (in) | 450 (17.7) |
| Carriage traverse travel (axis Z) | mm (in) | 300 (11.8) |

Headstock

| | | |
|-------------------------|---------|-------------------|
| Spindle nose | ASA | A2-5" |
| Spindle hole diameter | mm (in) | 60 (2.4) |
| Bar capacity (diameter) | mm (in) | 42 / 51 (1.6 / 2) |
| Speed range | rpm | 6 to 6.000 |

Feeds

| | | |
|--|----------------|------------|
| Quick cross feed (axis X) | m/min (in/min) | 36 (1,417) |
| Quick feed on longitudinal axis (axis Z) | m/min (in/min) | 30 (1,181) |

Gang Tools type Tool Holder

| | | |
|---|---------|-----------------------|
| Table surface | m/min | 180 x 550 (7 x 21.6) |
| Number of T slots | - | 3 |
| Tool support, external turning (section) | mm (in) | 20 x 20 (0.79 x 0.79) |
| Tool support, internal turning (diameter) | mm (in) | Ø 25 (0.98) |

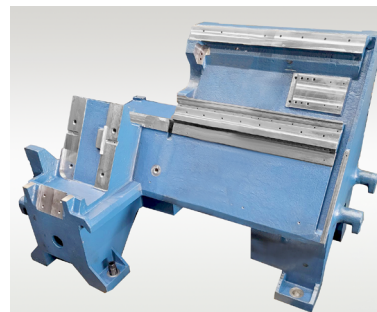
Installed power

| | | |
|---------------------------------|-------|---------|
| Main motor CA (reg. S3 -15 min) | hp/kW | 15 / 11 |
| Total installed power | kVA | 20 |

Dimensions and weight (approximate)

| | | |
|-------------------------------|----------|-----------------------------|
| Effective area (front x side) | mm (in) | 2,200 x 1,900 (86.6 x 74.8) |
| Approximate net weight | kg (lbs) | 2.600 (102.3) |

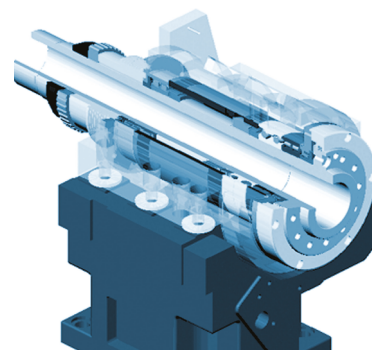
(*) No chip conveyor



Single-block structure, cast iron, top quality



Gang Tools system for tool support: inclination 60°, easy access of the operator to tool supports and chip discharge



Headstock equipped with insulating plates, which minimize heat transfer from cartridge to base.



ROMI

WWW.ROMI.COM

MAQFER@ROMI.COM

ROMI S.A.

Rod. SP 304, km 141,5
Santa Bárbara d'Oeste/SP
13453-900 - Brasil
(19) 3455 9735
maqfer@romi.com

Burkhardt+Weber

Fertigungssysteme GmbH
Tel +49 7121 315-0
info@burkhardt-weber.de
www.burkhardt-weber.de

ROMI Europa GmbH

Tel +49 6152 8055-44
sales@romi-europa.de
www.romi-europa.de

ROMI Machines UK Limited

Tel +44 1788 544221
sales@romiuk.com
www.romiuk.com

ROMI en México

Tel +521 55 9154 5851
ventasmx@romi.com
romimexico.com

ROMI América Latina

(19) 3455 9642
export-mf@romi.com

ROMI Machine Tools, Ltd

Tel +1 (859) 647 7566
sales@romiusa.com
www.romiusa.com

ROMI France SAS

Tel +33 4 37 25 60 70
infos@romifrance.fr
www.romifrance.fr

ROMI Maquinas España

Tel +34 93 719 4926
info@romi.es
www.romi.es

ROMI Itália Srl

Tel +39 0523 778 956
commerciale@romiitalia.it
www.romiitalia.it



ISO 9001:2015
Certificate No. 31120



ISO 14001:2015
Certificate No. 70671